



HPASS-BB

*Automatic Side Flange Bliss Case
Sealer with Bottom Belt Drive*

- Frame is 3/16" steel construction
- Designed for 24/7 operation
- Stainless steel shafting
- Optional stainless steel package
- Epoxy coated paint
- Closes and seals cases with glue
- Bottom-belt drive system
- Right-hand and left-hand controls available
- Easily adjustable
- Hand crank or motorized adjustments

MARQ
PACKAGING SYSTEMS

A division of Marquis Operating Limited Partnership

Proudly
Associated With:



MARQ's High Performance Bottom Belt Drive Side Flange Bliss Case Sealer was designed for higher throughput and simplified operation. Bliss cases with glued insert panels have superior strength. Industries who prefer this type of case sealer include poultry, beef and pork, as well as fresh produce.

This sealer is designed to accommodate bliss side flange cases of uniform size, folding the major flaps and sealing the side tabs with hotmelt glue. All of our sealers are built to withstand 24/7 operation and feature corrosion resistant planting and easy adjustability that takes only minutes. This is the most durable, versatile, hard-working machine you will find.

Talk to a MARQ representative to see why this machine could work best for your application.

Standard Features

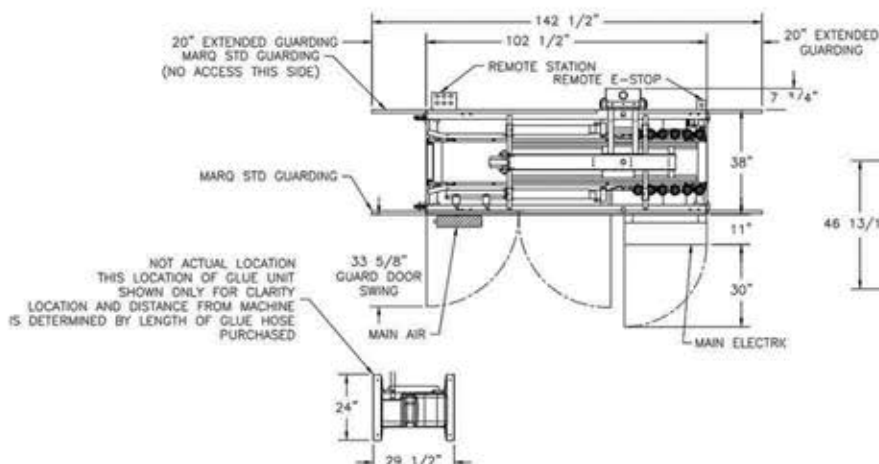
- Wiring practices conform to NFPA standards
- Operator friendly design
- Quick changeover
- Fully guarded
- Continuous feed hopper
- UL508A listed electrical panels

Operational Requirements



FOOTPRINT

TOP VIEW



SIDE VIEW

