



ET Series

Automatic Case Sealer

Standard Features

- Heavy duty construction
- Interlocked safety design
- UL approved main control enclosure
- Single point air / electrical hook up
- Powder Coated Finish
- Positive Hand Crank Adjustment

Optional Features

- Stainless steel construction with Nema 4 or Nema 4X
- No Pneumatics Required
- Heavy Duty Lockable Casters
- Low Tape / No Tape (Top Only)
- Food grade grease
- Remote stop

MARQ
PACKAGING SYSTEMS II, LLC

A division of Marquis Operating Limited Partnership

The sanitary design of the ET Series case sealer features an easily adjustable hand crank system that utilizes easy to read ruler scales for precise adjustments. The drive system encompasses the box in a case friendly 2" spring-loaded side belt drive that transfers the case through flap folders, where the minor and major flaps are folded and plowed. As cases exit the folding section they are sent through the tape heads where each case is sealed with either 2" or 3" tape, depending on application.

Standard Features

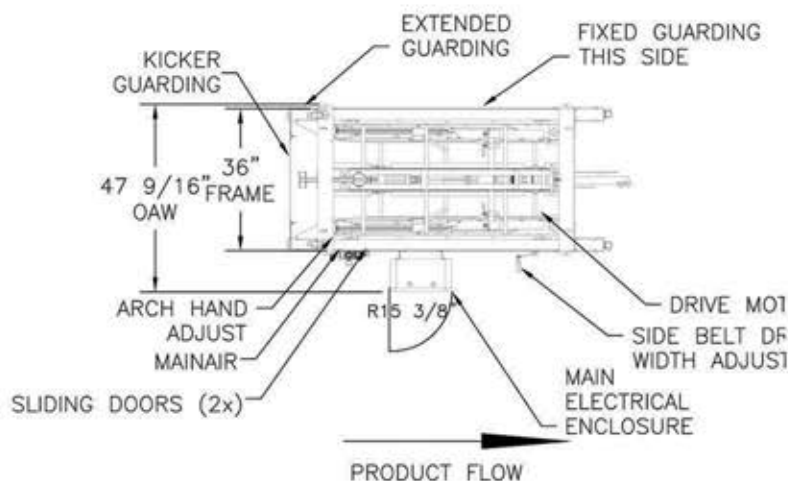
- Wiring practices conform to NFPA standards
- Sanitary Design
- Spring loaded side-belt drive
- Quick changeover
- Fully guarded

Operational Requirements



FOOTPRINT

TOP VIEW



SIDE VIEW

